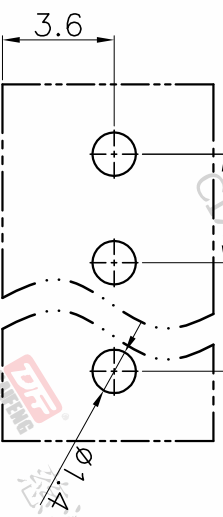
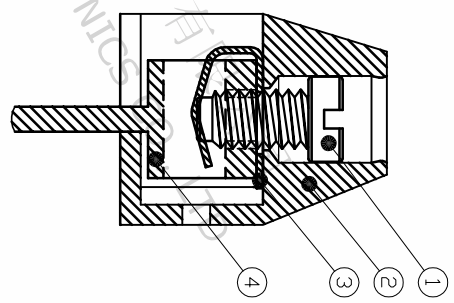
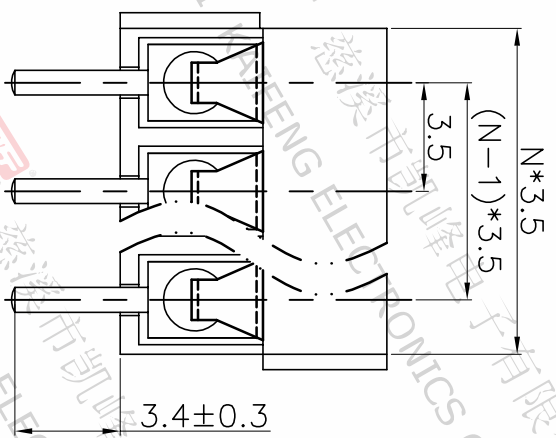
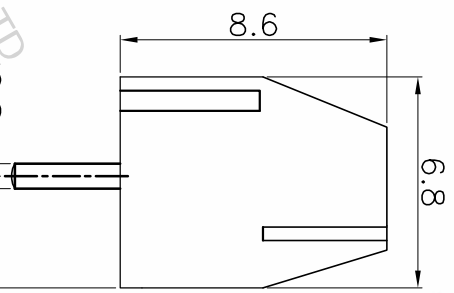
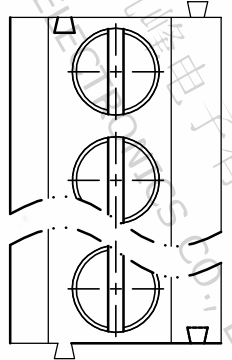
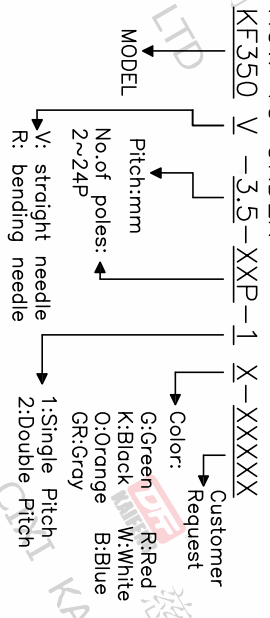


REV.	DESCRIPTION	DATE	DRAFTER	APPROVER
A1	DWG.REL	2020.05.18	DENG	JIN



- Material
  - ØScrews : M2.0 steel, Zinc plated,
  - \* slot type
  - ØHousing : PA66, UL94V-0
  - ØReed : Copper alloy, Ni plated
  - ØPin header : Copper alloy, Tin plated
- Electrical
  - UL IEC
  - Rated voltage : 300V 130V
  - Rated current : 7A 10A
  - Contact resistance : 20mΩ(Max)
  - Insulation resistance : 500MΩ/DC500V
  - Withstanding Voltage : AC1250V/1min
  - Wire range : 24-18AWG 1.0mm<sup>2</sup>
- Mechanical
  - Operating temperature: -40°C ~ +105°C
  - Soldering temperature: 250°C ±5 / 5sec
  - Torque: 0.2N.m (1.77Lb.in)
  - Strip length: 5-6mm
- RoHS compliance

HOW TO ORDER



Pitch range	Nominal dimension range	PROJECTION	UNIT
>0	>30	0.1/10	mm
~6	~60		
~10	~100		
~24	~150		
±0.15	±0.30		±2°
±0.20	±0.30		
±0.30	±0.50		
±0.70	±1.00		
±1.30	±1.30		

DRAWING TYPE	CUSTOMER DRAWING	SHEET SIZE	TITLE
SCALE	1:1	A4	KF350V-3.5-XXP-1X
DRAWING NO.	W15000232		

**DF** 慈溪市凯峰电子有限公司  
CIXI KAIFENG ELECTRONICS CO.,LTD

