

REV.	DESCRIPTION	DATE	DRAFTER	APPROVER
A1	DWG.REL	2020.5.23	ZHANG	JIN

- Material  
 ○Screw : M3.0 steel, Zinc plated, \*- slot type  
 ○Housing : PA66, UL94V-0  
 ○Contact : Copper alloy, Tin plated  
 ○Clamp : Copper alloy, Ni plated  
 ○Cover : PA66, UL94V-0

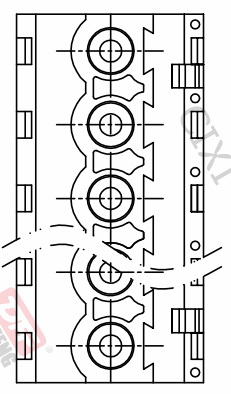
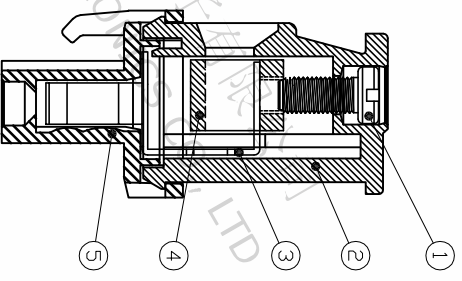
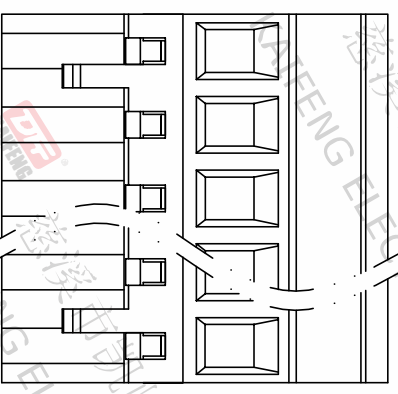
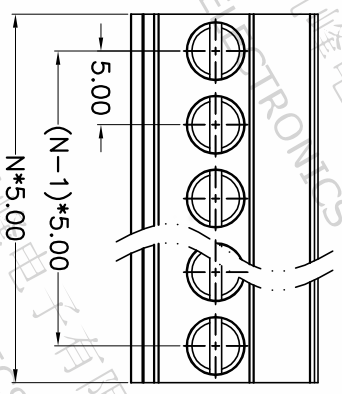
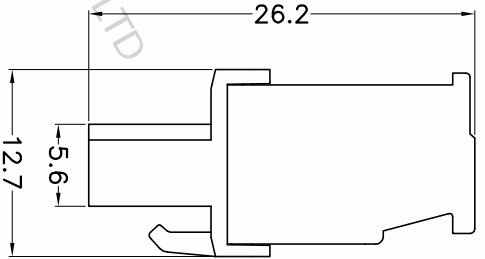
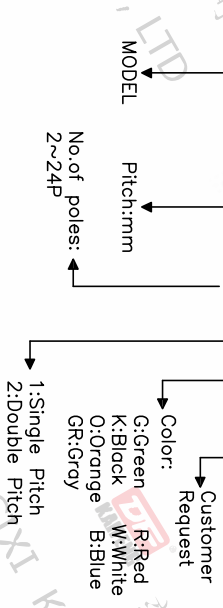
- Electrical  
 UL IEC  
 Rated voltage : 300V 320V  
 Rated current : 15A 18A  
 Contact resistance : 20mΩ(Max)  
 Insulation resistance: 500MΩ/DC500V  
 Withstanding Voltage : AC2000V/1min  
 Wire range: 28-12AWG 2.5mm<sup>2</sup>

- Mechanical  
 Operating temperature: -40°C~+105°C  
 Soldering temperature: 250°C±5/5sec  
 Torque: 0.5N.m (4.43Lb.in)  
 Strip length: 7-8mm

• RoHS compliance

HOW TO ORDER

KF2EDGKA-5.0-XXP-1 X-XXXXX



Pitch range	Nominal dimension range	Projection	UNIT
>0	>0	0.1/10	mm
>6	>30		
~	~		
10	60		
24	100		
	150		
	>150		
±0.15	±0.30	±2°	
	±0.50		
	±0.70		
	±1.00		
	±1.30		

DRAWING TYPE	CUSTOMER DRAWING
SCALE	1:1
SHEET	1 OF 1
DRAWING NO.	W10000282

PROJECTION	TITLE
UNIT	KF2EDGKA-5.0-XXP-1X
SHEET SIZE	A4
SERIES	KF2EDGKA

**DF** 慈溪市凯峰电子有限公司  
 CIXI KAIFENG ELECTRONICS CO.,LTD

