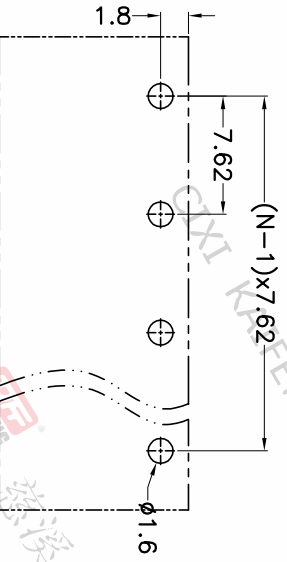
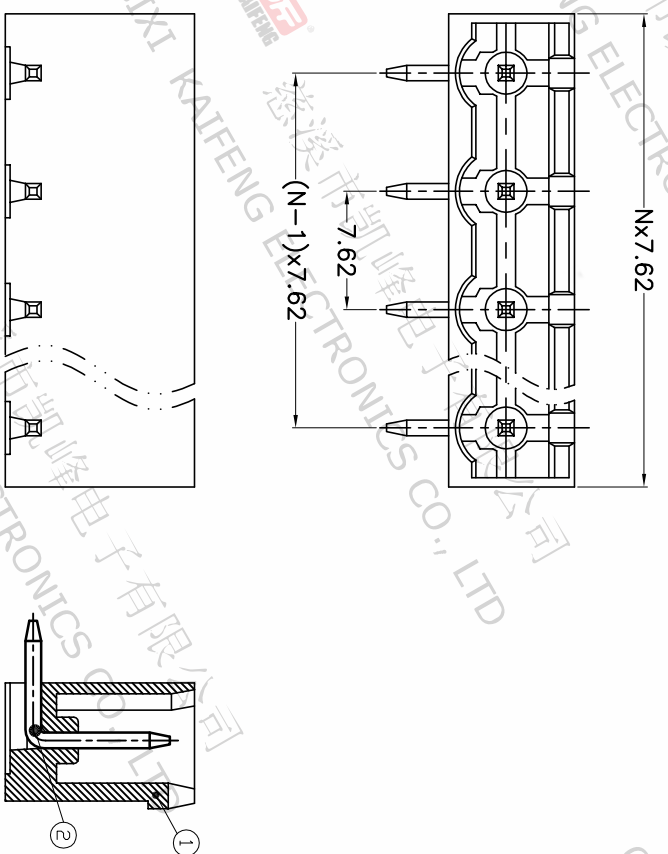


REV.	DESCRIPTION	DATE	DRAFTER	APPROVER
A1	DWG.REL	2020.5.20	ZHANG	JIN

- Material  
 @Housing : PA66, UL94V-0  
 @Pin header : Copper alloy, Tin plated
- Electrical  
 UL IEC  
 Rated voltage : 300V 400V  
 Rated current : 15A 20A  
 Contact resistance : 20mΩ(Max)  
 Insulation resistance: 500MΩ/DC500V  
 Withstanding Voltage : AC2500V/1min
- Mechanical  
 Operating temperature: -40°C ~ +105°C  
 Soldering temperature: 250°C ±5 / 5sec
- RoHS compliance



P.C.B.LAYOUT

Pitch range	Nominal dimension range	PROJECTION	UNIT
>0	>0	0.1/10	mm
~6	~30		
~10	~60		
~24	~100		
~30	~150		
±0.15	±0.30	±2°	
±0.20	±0.50		
±0.30	±0.70		
±1.00	±1.30		

DRAWING TYPE	CUSTOMER DRAWING	SHEET	1 OF 1
SCALE	1:1	SHEET	1 OF 1
DRAWING NO.	W10000192		

HOW TO ORDER  
 KF2EDGCR-X-7.62-XXP-1 X-XXXXX

