

REV.	DESCRIPTION	DATE	DRAFTER	APPROVER
A1	DWG.REL	2020.6.02	ZHANG	JIN

- Material
 - ①Screws : M3.0 steel, Zinc plated, *- slot type
 - ②Housing : PA66, UL94V-0
 - ③Contact : Copper alloy, Tin plated
 - ④Clamp : Copper alloy, Ni plated
 - ⑤Cover : PA66, UL94V-0

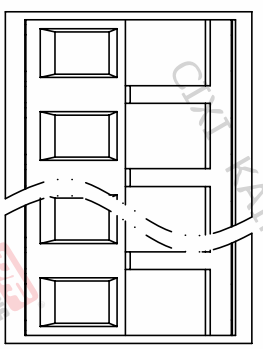
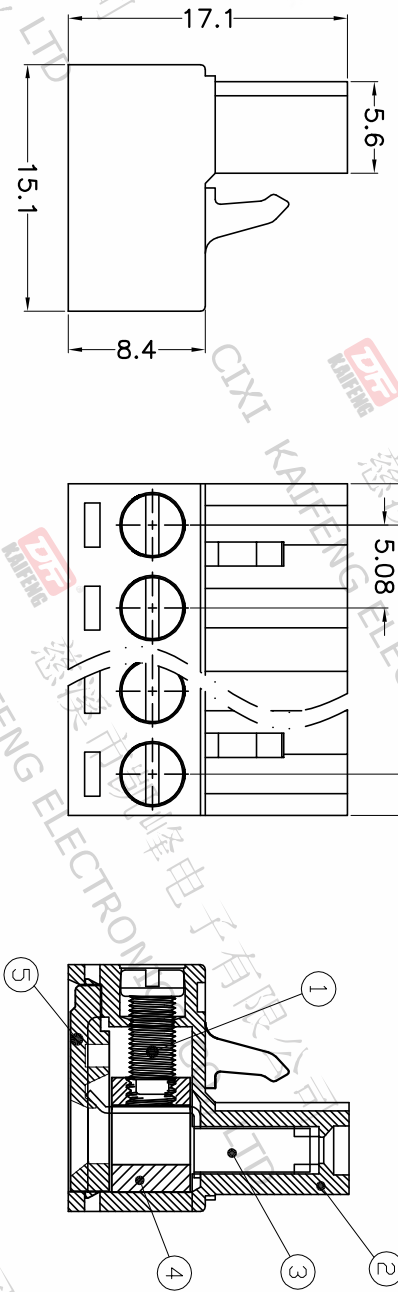
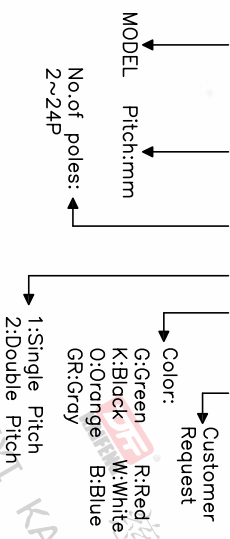
- Electrical

UL	IEC
Rated voltage : 300V	320V
Rated current : 15A	20A
Contact resistance : 20mΩ(Max)	
Insulation resistance: 500MΩ/DCC500V	
Withstanding Voltage : AC2000V/1min	
Wire range: 28-12AWG	2.5mm ²

- Mechanical
 - Operating temperature: -40°C~+105°C
 - Soldering temperature: 250°C±5/5sec
 - Torque: 0.5N.m (4.43lb.in)
 - Strip length: 7-8mm

• RoHS compliance

HOW TO ORDER
KF2EDG-X-5.08-XXP-1 X-XXXXX



Pitch range	Nominal dimension range	PROJECTION	UNIT
>0	>0	0.1/10	mm
~6	~30		
~10	~60		
~24	~100		
~30	~150		
±0.15	±0.30		±2°
±0.20	±0.50		
±0.30	±0.70		
±1.00	±1.30		

DRAWING TYPE	CUSTOMER DRAWING
SCALE	1:1
SHEET	1 OF 1
DRAWING NO.	W10000582

TITLE	SHEET SIZE	SERIES
KF2EDG-X-5.08-XXP-1X	A4	KF2EDG-X

DF 慈溪市凯峰电子有限公司
CIXI KAIFENG ELECTRONICS CO.,LTD