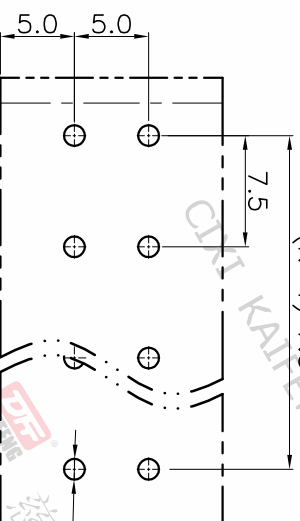
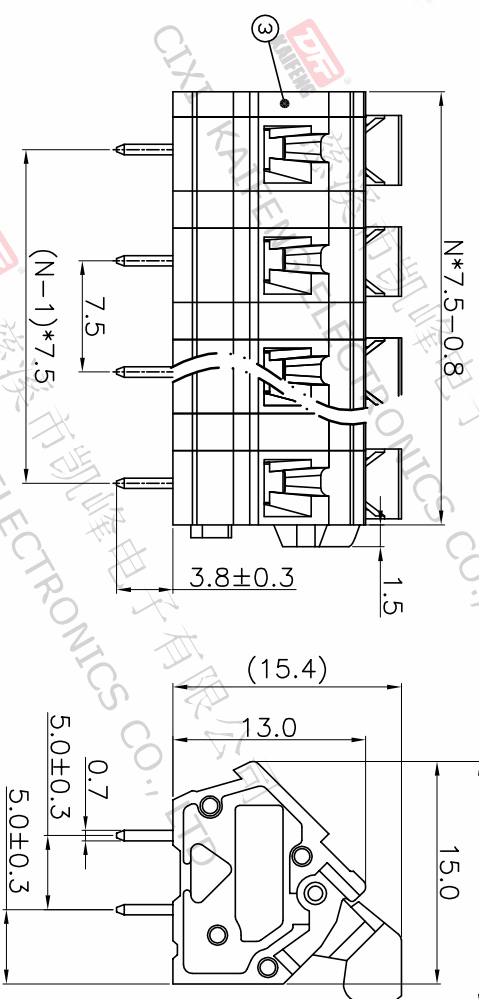
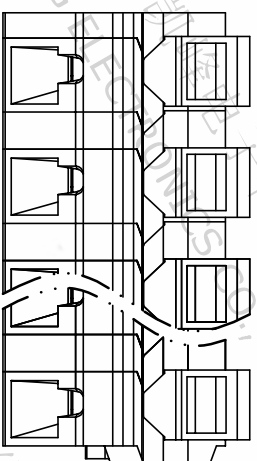


REV.	DESCRIPTION	DATE	DRAFTER	APPROVER
A1	DWG.REL	2020.05.25	DENG	JIN



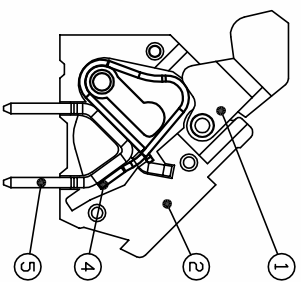
P.C.B. LAYOUT

Pitch range	Nominal dimension range	PROJECTION	UNIT	TITLE
>0 ~6 ~10	>0 ~30 ~60 ~100 ~150	0.1/10	mm	KF188-7.5-XXP-1X
>0 ~10 ~24	>0 ~60 ~100 ~150 ~200	0.1/10	mm	KF188-7.5-XXP-1X
±0.15 ±0.20 ±0.30	±0.30 ±0.50 ±0.70 ±1.00 ±1.30	±2°	mm	KF188-7.5-XXP-1X

DRAWING TYPE	CUSTOMER DRAWING	SHEET	1 OF 1
SCALE	1:1	SHEET	1 OF 1
DRAWING NO.	W15000112	SHEET SIZE	A4

HOW TO ORDER
 KF188-7.5-XXP-1 X-XXXXX
 MODEL Pitch:mm
 No.of poles: 2~24P
 Color:
 G:Green K:Black R:Red Customer Request
 O:Orange W:White B:Blue
 GR:Gray
 1:Single Pitch
 2:Double Pitch

- **Electrical**
 UL IEC
 Rated voltage : 300V 750V
 Rated current : 15A 17A
 Contact resistance : 20mΩ(Max)
 Insulation resistance: 500MΩ/DC500V
 Withstanding Voltage : AC2000V/1min
 Wire range: 28-12AWG 2.5mm²
- **Mechanical**
 Operating temperature:-40°C~+105°C
 Soldering temperature:250°C±5/5sec
 Strip length: 5-6mm
- RoHS compliance



DF 慈溪市凯峰电子有限公司
 CIXI KAIFENG ELECTRONICS CO.,LTD