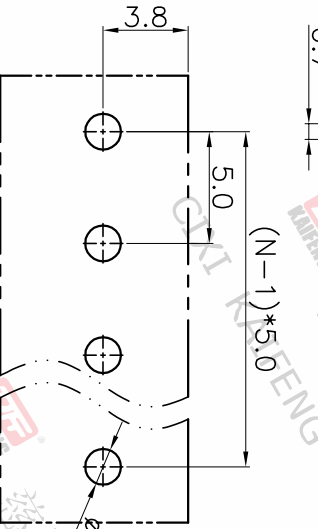
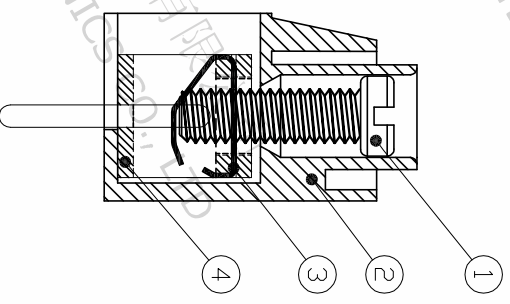
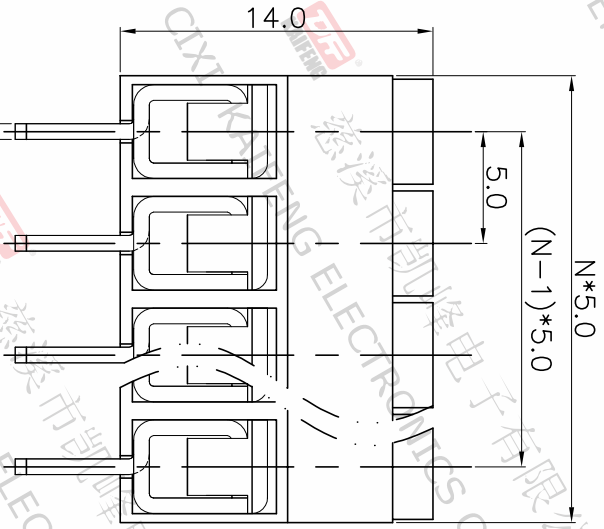
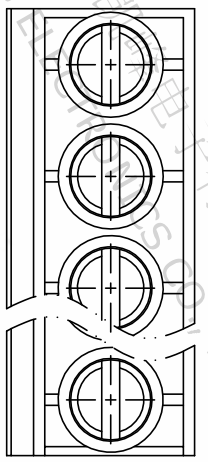


REV.	DESCRIPTION	DATE	DRAFTER	APPROVER
A1	DWG.REL	2020.05.17	DENG	JIN



P.C.B. LAYOUT

Pitch range	Nominal dimension range	PROJECTION	UNIT
>0	>0	0.1/10	mm
~6	~30	0.1/10	mm
~10	~60	0.1/10	mm
~24	~100	0.1/10	mm
~30	~150	0.1/10	mm
~60	~1000	0.1/10	mm
~100	~1500	0.1/10	mm
~150	~1500	0.1/10	mm
±2'	±2'	0.1/10	mm

DRAWING TYPE	CUSTOMER DRAWING
SCALE	1:1
SHEET	1 OF 1
DRAWING NO.	W15000062

PROJECTION	TITLE
UNIT	KF167V-5.0-XXP-1X
SHEET SIZE	A4
SERIES	KF167

DF 慈溪市凯峰电子有限公司
CIXI KAIFENG ELECTRONICS CO.,LTD

- Material
①Screws : M2.5 steel, Zinc plated,
②slot type
③Housing : PA66, UL94V-0
④Reed : Copper alloy, Ni plated
or stainless steel
⑤Pin header : Copper alloy, Tin plated
- Electrical
UL IEC
Rated voltage : 300V 250V
Rated current : 15A 22A
Contact resistance : 20mΩ(Max)
Insulation resistance: 500MΩ/DC500V
Withstanding Voltage : AC2000V/1min
Wire range: 22-14AWG 0.5-2.5mm²
- Mechanical
Operating temperature:-40℃~+105℃
Soldering temperature:250℃±5/5sec
Torque: 0.4N.m (3.54Lb.in)
Strip length: 6-7mm
- RoHS compliance

HOW TO ORDER

