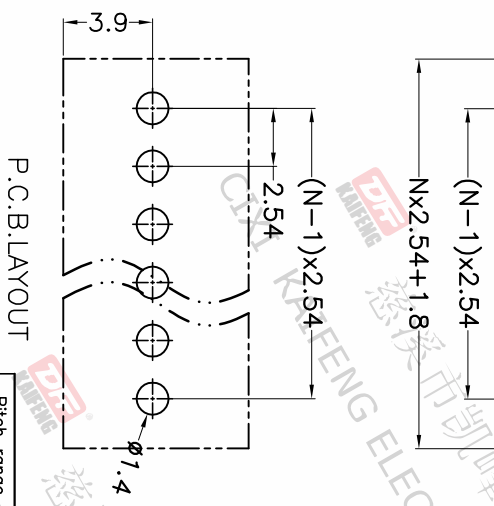
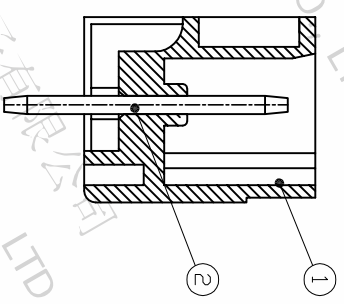
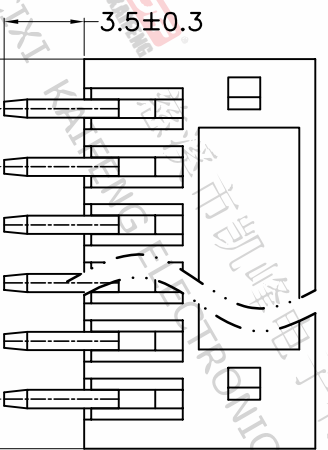
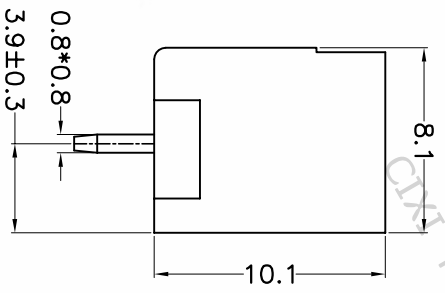
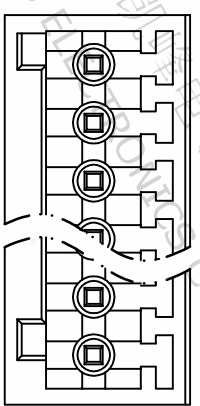
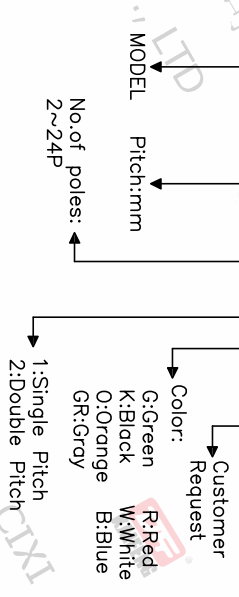


REV.	DESCRIPTION	DATE	DRAFTER	APPROVER
A1	DWG.REL	2020.6.02	ZHANG	JIN



- Material
 ØHousing : PA66, UL94V-0
 ØPin header : Copper alloy, Tin plated
- Electrical
 UL IEC
 Rated voltage : 150V 130V
 Rated current : 5A 10A
 Contact resistance : 20mΩ(Max)
 Insulation resistance: 500MΩ/DC500V
 Withstanding Voltage : AC1250V/1min
- Mechanical
 Operating temperature: -40°C ~ +105°C
 Soldering temperature: 250°C ±5 / 5sec
- RoHS compliance

HOW TO ORDER
 KF12EZV-2.54-XXP-1 X-XXXXX



Pitch range	Nominal dimension range	PROJECTION
>0	>30	0.1/10
~6	~60	□
~10	~100	□
~24	~150	□
±0.15	±0.30	±2°

DRAWING TYPE	CUSTOMER DRAWING	PROJECTION	TITLE
SCALE	1:1	UNIT	KF12EZV-2.54-XXP-1X
DRAWING NO.	W10001512	SHEET SIZE	A4
		SERIES	KF12EZV

DF 慈溪市凯峰电子有限公司
 CIXI KAIFENG ELECTRONICS CO.,LTD