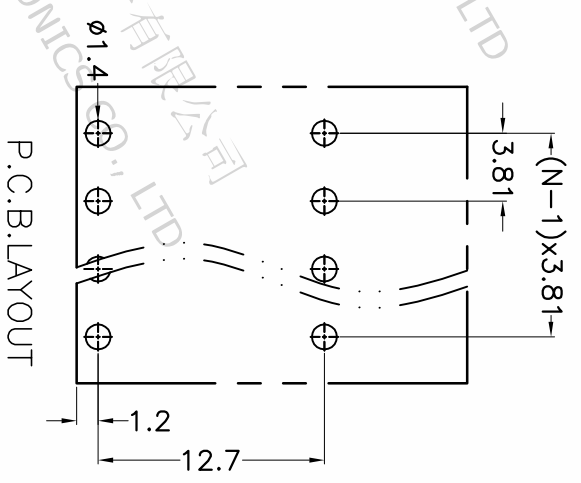
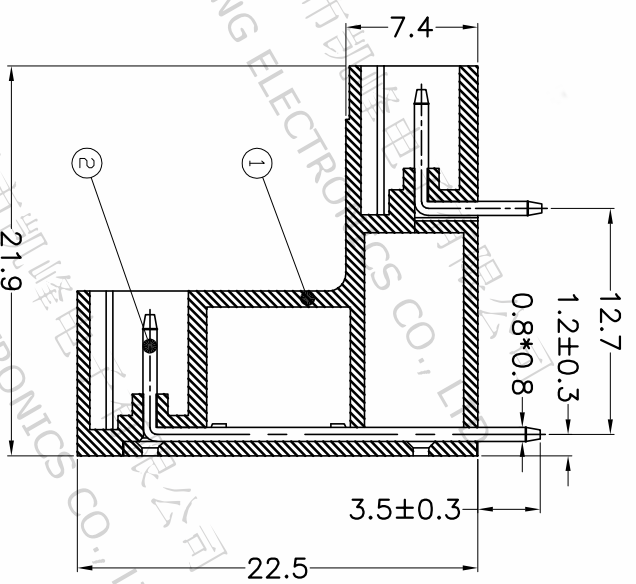
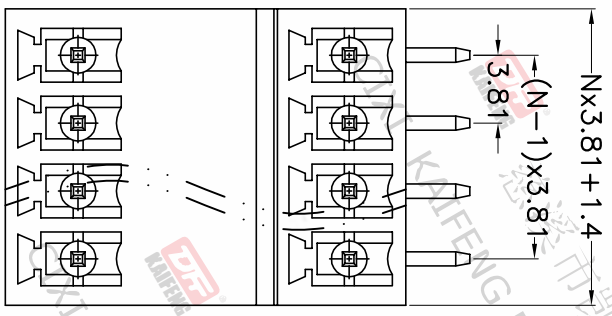
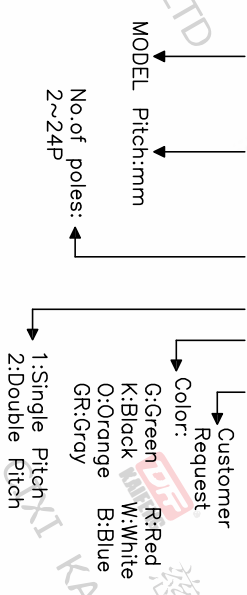


REV.	DESCRIPTION	DATE	DRAFTER	APPROVER
A1	DWG.REL	2020.6.02	ZHANG	JIN



- Material
 @Housing : PA66, UL94V-0
 @Pin header : Copper alloy, Tin plated
- Electrical
 UL IEC
 Rated voltage : 300V 250V
 Rated current : 8A 7A
 Contact resistance : 20mΩ(Max)
 Insulation resistance: 500MΩ/DC500V
 Withstanding Voltage : AC1500V/1min
- Mechanical
 Operating temperature: -40°C~+105°C
 Soldering temperature: 250°C±5/5sec
- RoHS compliance

HOW TO ORDER
 KF12ETR-3.81-2*XXP-1 X-XXXXX



Pitch range	Nominal dimension range	PROJECTION
>0	>30	0.1/10
>6	>60	0.1/10
~	~	~
6	30	~
10	60	~
±0.15	±0.30	±2°
±0.20	±0.50	±2°
±0.30	±0.70	±2°
±0.50	±1.00	±2°
±1.00	±1.30	±2°

DF 慈溪市凯峰电子有限公司
 CIXI KAIFENG ELECTRONICS CO.,LTD

DRAWING NO. W10001462

SCALE 1:1 SHEET 1 OF 1

DRAWING TYPE CUSTOMER DRAWING

SHEET SIZE A4

SERIES KF12ETR

TITLE KF12ETR-3.81-2*XXP-1X