

| REV. | DESCRIPTION | DATE | DRAFTER | APPROVER |
|------|-------------|-----------|---------|----------|
| A1 | DWG.REL | 2020.6.10 | ZHANG | JIN |

- Material
 - ⊙Button : PA66, UL94V-0
 - ⊙Housing : PA66, UL94V-0
 - ⊙Reed : Stainless steel
 - ⊙Contact : Copper alloy,Tin plated
 - ⊙Cover : PA66, UL94V-0

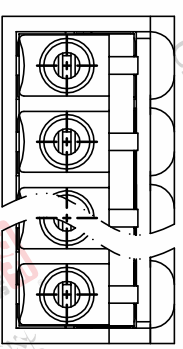
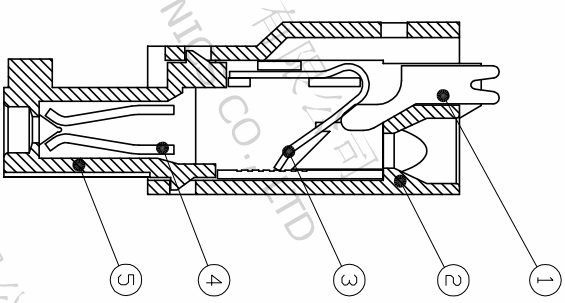
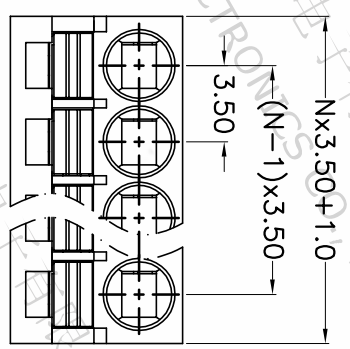
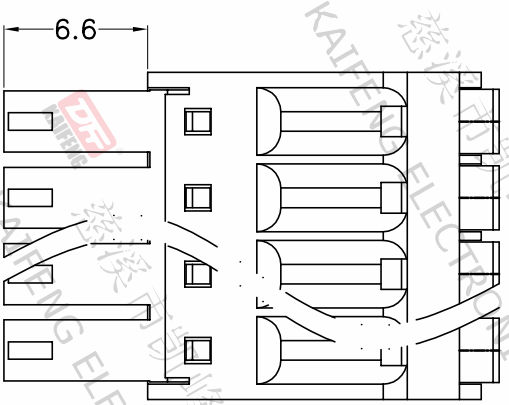
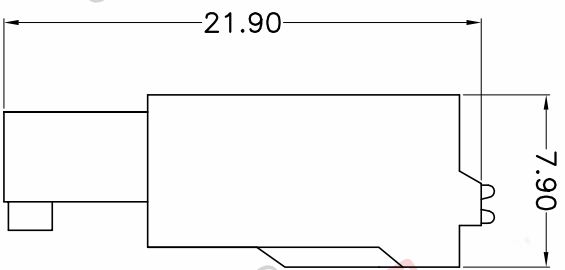
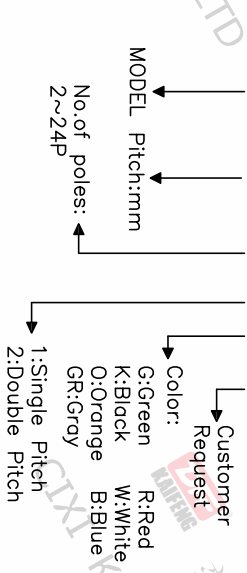
- Electrical

| | |
|----------------------|------|
| UL | IEC |
| Rated voltage : 300V | 250V |
| Rated current : 8A | 7A |

- Mechanical
 - Operating temperature: -40°C~+105°C
 - Soldering temperature:250°C±5/5sec
 - Strip length: 8-9mm
 - Wire range: 24-16AWG 0.5-1.5mm²

• RoHS compliance

HOW TO ORDER
KF12EKN-3.5-XXP-1 X-XXXXX



| Pitch range | Nominal dimension range | PROJECTION |
|-------------|-------------------------|------------|
| >0 | >0 | 0.1/10 |
| ~6 | >30 | ∠ |
| ~10 | >60 | ∠ |
| ~24 | >100 | ∠ |
| ~30 | >150 | ∠ |
| ±0.15 | ±0.30 | ±2° |
| ±0.30 | ±0.50 | |
| ±0.70 | ±1.00 | |
| ±1.30 | ±1.30 | |

| DRAWING TYPE | CUSTOMER DRAWING |
|--------------|------------------|
| SCALE | 1:1 |
| SHEET | 1 OF 1 |
| DRAWING NO. | W10001252 |

| TITLE | PROJECTION | UNIT | SHEET SIZE | SERIES |
|--------------------|------------|------|------------|---------|
| KF12EKN-3.5-XXP-1X | 1st Angle | mm | A4 | KF12EKN |

DF 慈溪市凯峰电子有限公司
CIXI KAIFENG ELECTRONICS CO.,LTD