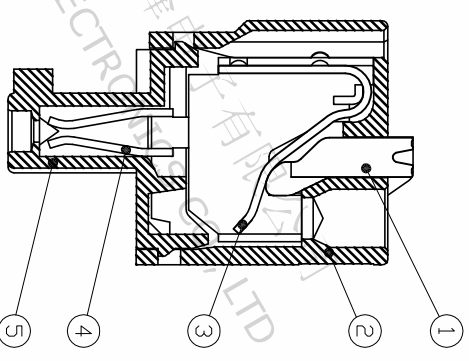
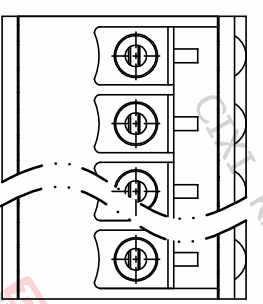
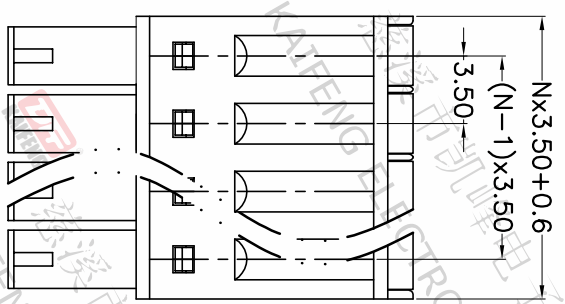
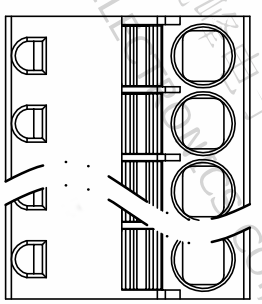


REV.	DESCRIPTION	DATE	DRAFTER	APPROVER
A1	DWG.REL	2020.6.10	ZHANG	JIN



PROJECTION	UNIT	TITLE
1:1	mm	KF12EKD-3.5-XXP-1X

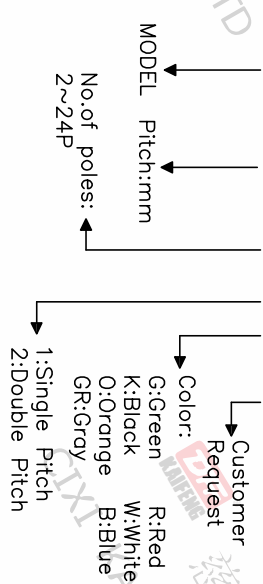
- Material
  - ⊙Button : PA66, UL94V-0
  - ⊙Housing : PA66, UL94V-0
  - ⊙Reed : Stainless steel
  - ⊙Contact : Copper alloy, Tin plated
  - ⊙Cover : PA66, UL94V-0

- Electrical
  - UL IEC
  - Rated voltage : 300V 250V
  - Rated current : 10A 7A
  - Contact resistance : 20mΩ(Max)
  - Insulation resistance: 500MΩ/DC500V
  - Withstanding Voltage : AC1500V/1min
  - Wire range: 24-16AWG 0.5-1.5mm<sup>2</sup>

- Mechanical
  - Operating temperature: -40°C ~ +105°C
  - Soldering temperature: 250°C ±5 / 5sec
  - Strip length: 10mm

- RoHS compliance

HOW TO ORDER  
 KF12EKD-3.5-XXP-1 X-XXXXX



Pitch range	Nominal dimension range	0.1/10	±2'
>0	>0	0.1/10	
>6	>10		
~	~		
6	10		
~	~		
10	24		
~	~		
30	60		
~	~		
100	150		
~	~		
150	±1.00		
~	~		
±2'	±1.30		

**DF** 慈溪市凯峰电子有限公司  
 CIXI KAIFENG ELECTRONICS CO.,LTD

DRAWING NO. W10001202

SCALE 1:1 SHEET 1 OF 1

DRAWING TYPE CUSTOMER DRAWING

A B C D E F G H 1 2 3 4 5 6 7 8