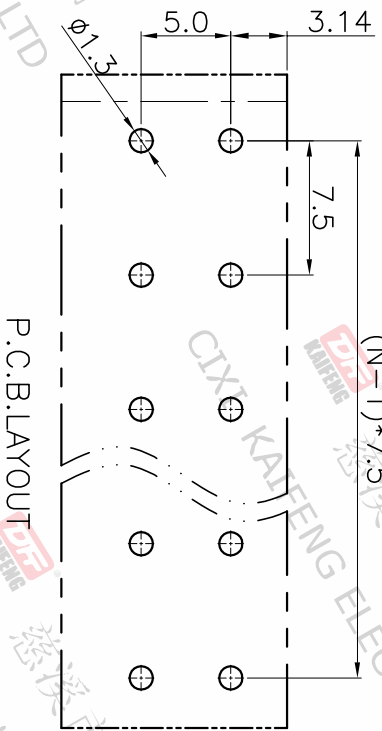
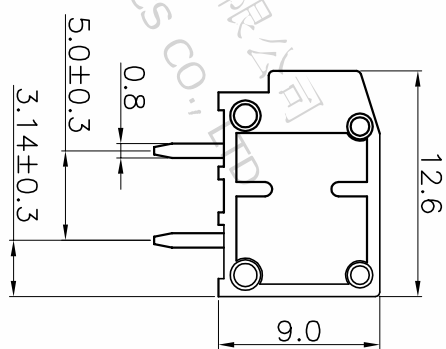
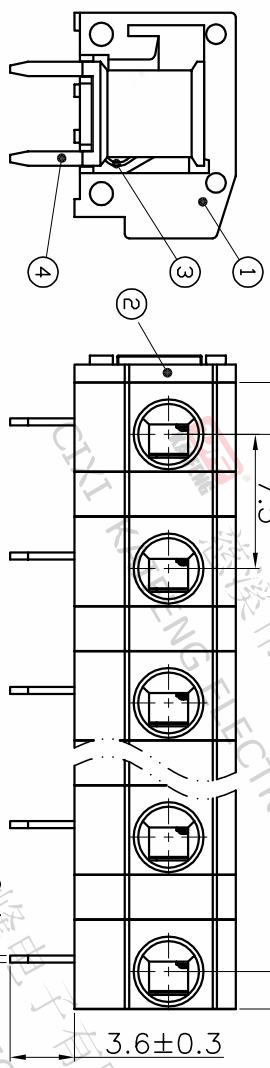
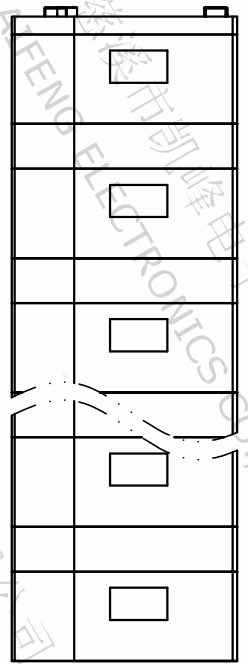


| REV. | DESCRIPTION | DATE | DRAFTER | APPROVER |
|------|-------------|------------|---------|----------|
| A1 | DWG.REL | 2020.05.28 | DENG | JIN |



P.C.B.LAYOUT

| Pitch range | Nominal dimension range | PROJECTION | UNIT |
|-------------|-------------------------|------------|------|
| >0 | >30 | □ | mm |
| ~6 | ~>100 | □ | mm |
| ~10 | ~>150 | □ | mm |
| ~24 | ~>150 | □ | mm |
| ±0.15 | ±0.30 | □ | mm |
| ±0.20 | ±0.30 | □ | mm |
| ±0.30 | ±0.50 | □ | mm |
| ±0.70 | ±1.00 | □ | mm |
| ±1.30 | ±2.00 | □ | mm |

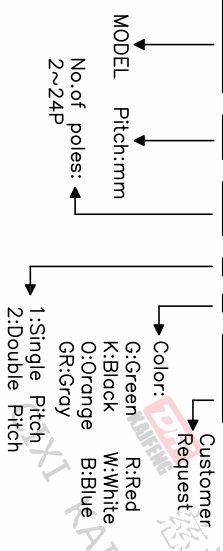
| DRAWING TYPE | CUSTOMER DRAWING |
|--------------|------------------|
| SCALE | 1:1 |
| SHEET | 1 OF 1 |
| DRAWING NO. | W15000302 |

- Material
 - ①Housing : PA66, UL94V-0
 - ②Cover : PA66, UL94V-0
 - ③Reed : Stainless steel
 - ④Pin header : Copper alloy, Tin plated

- Electrical UL IEC
 - Rated voltage : 300V 450V
 - Rated current : 5A 15A
 - Contact resistance : 20mΩ(Max)
 - Insulation resistance: 500MΩ/DC500V
 - Withstanding Voltage : AC2000V/1min
 - Wire range: 20-18AWG 1.5mm²

- Mechanical
 - Operating temperature: -40°C~+105°C
 - Soldering temperature:250°C±5/5sec
 - Strip length: 9-10mm
 - RoHS compliance

HOW TO ORDER
KF124A-7.5-XXP-1 X-XXXXX



TITLE KF124A-7.5-XXP-1X

SHEET SIZE A4

SERIES KF124A

DF 慈溪市凯峰电子有限公司
CIXI KAIFENG ELECTRONICS CO.,LTD