

REV.	DESCRIPTION	DATE	DRAFTER	APPROVER
A1	DWG.REL	2020.5.20	ZHANG	JIN

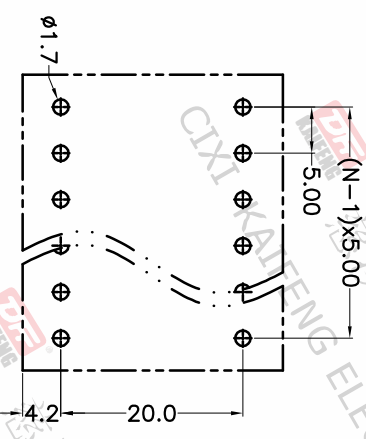
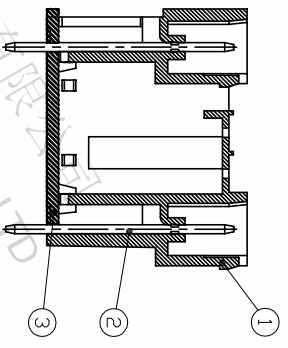
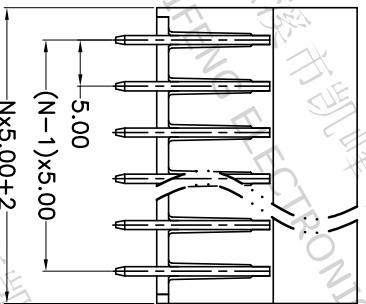
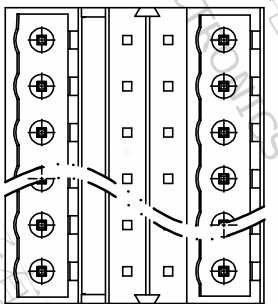
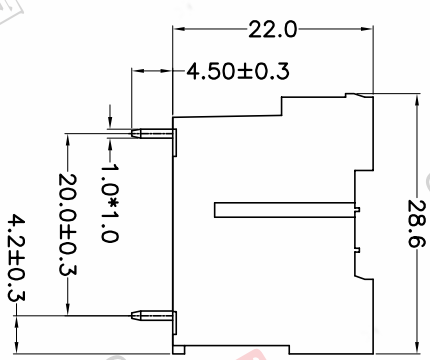
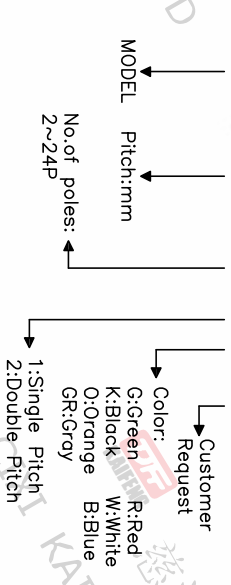
- Material
 ①Housing : PA66, UL94V-0
 ②Pin header : Copper alloy, Tin plated
 ③Cover : PA66, UL94V-0

- Electrical
 UL IEC
 Rated voltage : 300V 320V
 Rated current : 15A 20A
 Contact resistance : 20mΩ(Max)
 Insulation resistance : 500MΩ/DC500V
 Withstanding Voltage : AC2000V/1min

- Mechanical
 Operating temperature: -40°C ~ +105°C
 Soldering temperature: 250°C ±5/5sec

• RoHS compliance

HOW TO ORDER
 KF1026V-5.0-2*XXP-1 X-XXXXX



P.C.B. LAYOUT

Pitch range	Nominal dimension range	PROJECTION
>0	>0	0.1/10
>6	>30	0.1/10
>10	>60	0.1/10
~6	~100	0.1/10
~10	~150	0.1/10
~24	>150	0.1/10
±0.15	±0.30	±2'
±0.20	±0.30	±2'
±0.30	±0.50	±2'
±0.70	±1.00	±2'
±1.30	±1.50	±2'

DRAWING TYPE	CUSTOMER DRAWING
SCALE	1:1
SHEET	1 OF 1
DRAWING NO.	W10001802

PROJECTION	TITLE
UNIT	KF1026V-5.0-2*XXP-1X
SHEET SIZE	A4
SERIES	KF1026V

DF 慈溪市凯峰电子有限公司
 CIXI KAIFENG ELECTRONICS CO.,LTD