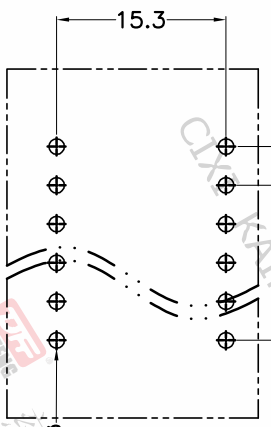
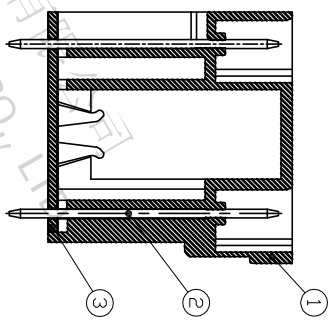
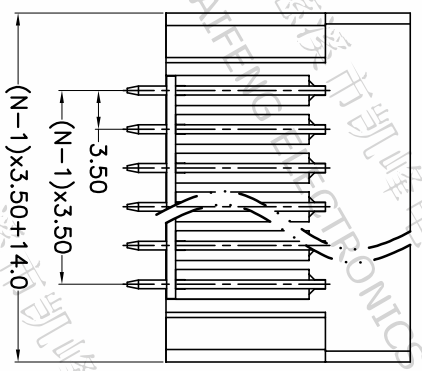
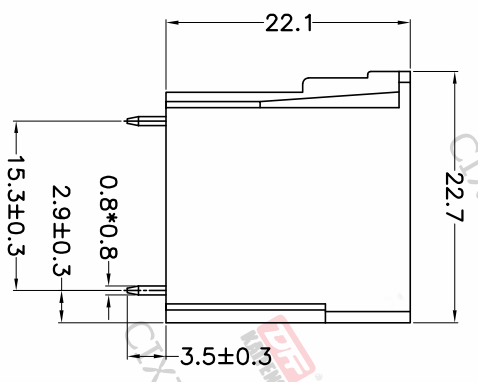
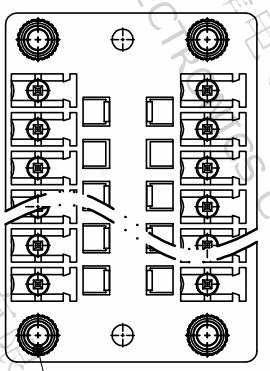


REV.	DESCRIPTION	DATE	DRAFTER	APPROVER
A1	DWG.REL	2020.5.20	ZHANG	JIN



P.C.B.LAYOUT

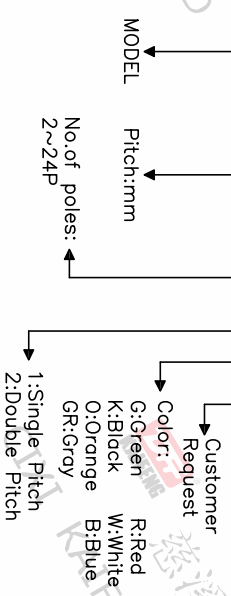
- Material
 - ØHousing : PA66, UL94V-0
 - ØPin header : Copper alloy, Tin plated
 - ØCover : PA66, UL94V-0
 - ØNut : M2.5, Copper alloy

- Electrical
 - UL IEC
 - Rated voltage : 300V 250V
 - Rated current : 8A 7A
 - Contact resistance : 20mΩ(Max)
 - Insulation resistance: 500MΩ/DC500V
 - Withstanding Voltage : AC1500V/1min

- Mechanical
 - Operating temperature: -40℃~+105℃
 - Soldering temperature: 250℃±5/5sec

- RoHS compliance

HOW TO ORDER
KF1025VM-3.5-2*XXP-1 X-XXXXX



Pitch range	Nominal dimension range	PROJECTION
>0	>0	0.1/10
~6	~30	□
~10	~60	□
~24	~100	□
~30	~150	□
±0.15	±0.30	±2°
±0.20	±0.50	
±0.30	±0.70	
	±1.00	
	±1.30	

DRAWING TYPE	CUSTOMER DRAWING	SHEET	1 OF 1
SCALE	1:1	SHEET	1 OF 1
DRAWING NO.	W10001732		



慈溪市凯峰电子有限公司
CIXI KAIFENG ELECTRONICS CO.,LTD

