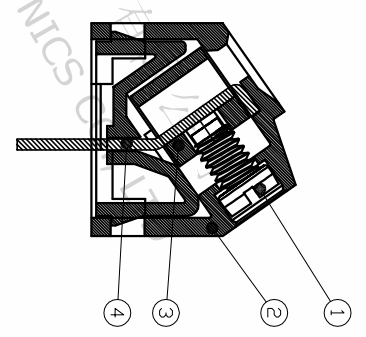
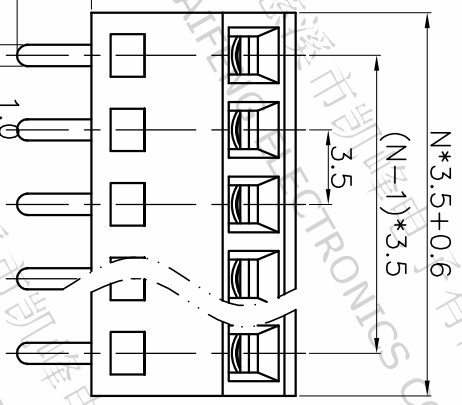
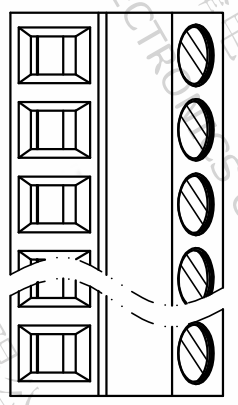
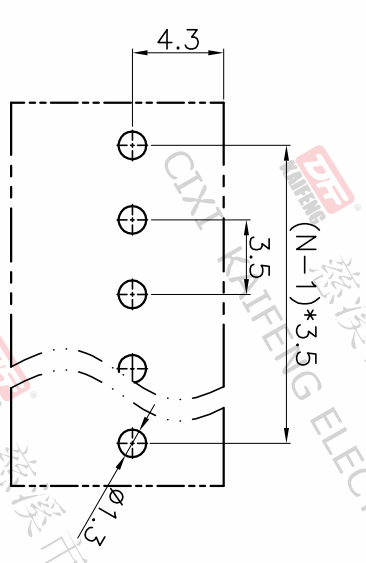


REV.	DESCRIPTION	DATE	DRAFTER	APPROVER
A1	DWG.REL	2020.05.18	DENG	JIN



- Material
 - ①Screws : M2.0 steel, Zinc plated,
 - ②slot type
 - ③Housing : PA66, UL94V-0
 - ④Clamp : Copper alloy, Ni plated
 - ⑤Pin header : Copper alloy, Tin plated
- Electrical
 - UL IEC
 - Rated voltage : 500V 130V
 - Rated current : 10A 10A
 - Contact resistance : 20mΩ(Max)
 - Insulation resistance : 500MΩ/DC500V
 - Withstanding Voltage : AC1500V/1min
 - Wire range : 24-16AWG 1.5mm²
- Mechanical
 - Operating temperature: -40°C ~ +105°C
 - Soldering temperature: 250°C ±5 / 5sec
 - Torque: 0.2N.m (1.77Lb.in)
 - Strip length: 4-5mm
- RoHS compliance



P.C.B.LAYOUT

Pitch range	Nominal dimension range	PROJECTION
>0	>0	0.1/10
~6	~30	≤
~10	~60	±2°
~24	~100	
~30	~150	
±0.15	±0.30	
±0.20	±0.50	
±0.30	±0.70	
	±1.00	
	±1.30	

DRAWING TYPE	CUSTOMER DRAWING	SHEET	1 OF 1
SCALE	1:1		
DRAWING NO.	W15000312		
PROJECTION	UNIT	TITLE	SHEET SIZE
	mm	KF102-3.5-XXP-1X	A4
			SERIES KF102

HOW TO ORDER
 KF102-3.5-XXP-1 X-XXXXX
 MODEL Pitch:mm
 No.of poles: 2~24P
 Color: Request
 1:Single Pitch
 2:Double Pitch

DFE 慈溪市凯峰电子有限公司
 CIXI KAIFENG ELECTRONICS CO.,LTD

