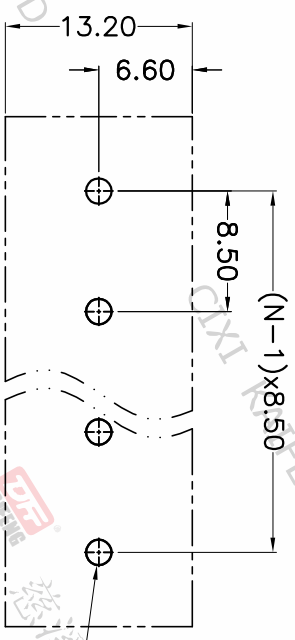
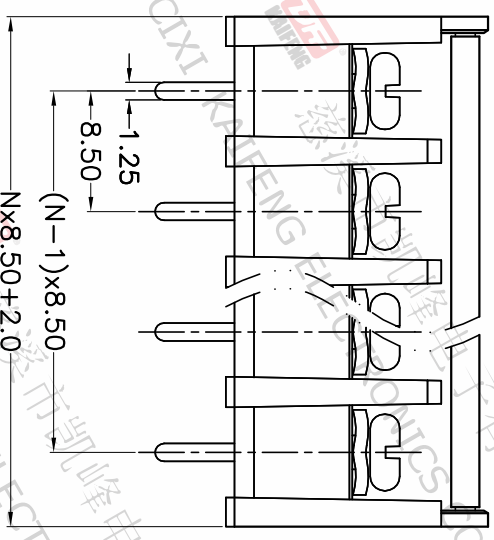
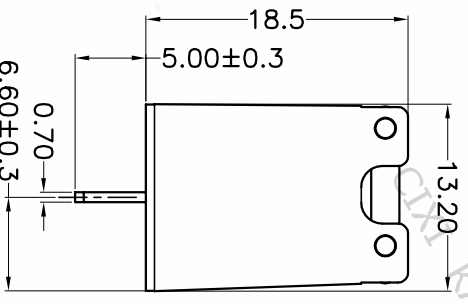
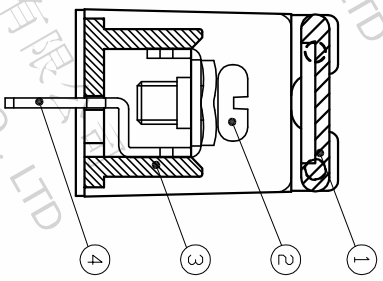
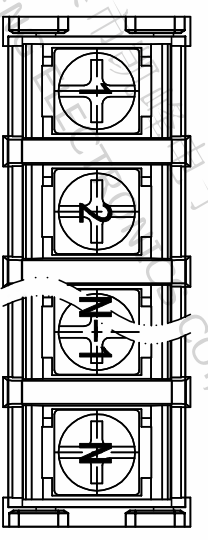


REV.	DESCRIPTION	DATE	DRAFTER	APPROVER
A1	DWG.REL	2020.05.21	LiuZH	JIN



P.C.B. LAYOUT

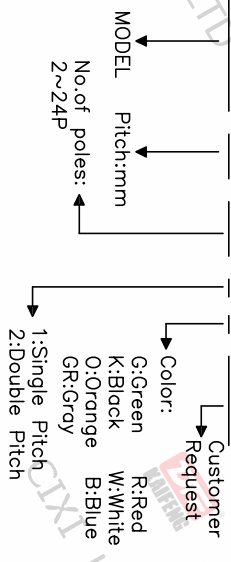
Pitch range	Nominal dimension range	PROJECTION
>0	>0	0.1/10
~6	~30	∠
~10	~60	∠
~24	~100	∠
~30	~150	∠
±0.15	±0.30	±2°
±0.20	±0.50	
±0.30	±0.70	
±1.00	±1.30	

DRAWING TYPE	CUSTOMER DRAWING	SHEET	1 OF 1
SCALE	1:1	SHEET	1 OF 1
DRAWING NO.	W12000662		

- Material
 - ◎Cover : PC
 - ◎Screws : M3.0 steel, Ni plated
 - ◎Housing : PA66,UL94V-0
 - ◎Terminal : Brass, Tin plated
- Electrical
 - UL IEC
 - Rated voltage : 300V 450V
 - Rated current : 20A 24A
 - Contact resistance : 20mΩ(Max)
 - Insulation resistance: 500MΩ/DC500V
 - Withstanding Voltage : AC2000V/1min
 - Wire range: 22-12AWG 2.5mm²
- Mechanical
 - Operating temperature:-40°C~+105°C
 - Soldering temperature:250°C±5/5sec
 - Torque: 0.5N.m (4.43Lb.in)
- RoHS compliance

HOW TO ORDER

KF-35CM-8.5-XXP-1 X-XXXXX



DF 慈溪市凯峰电子有限公司
CIXI KAIFENG ELECTRONICS CO.,LTD

