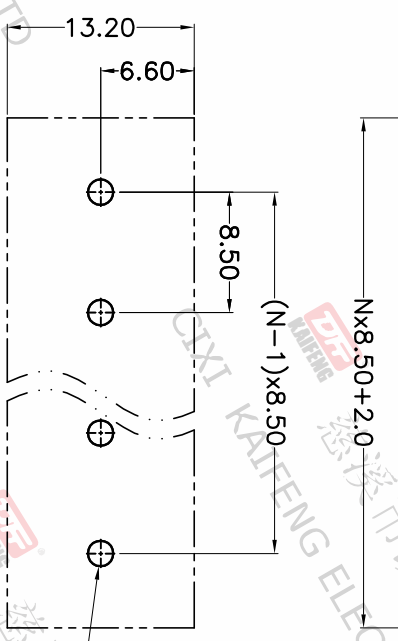
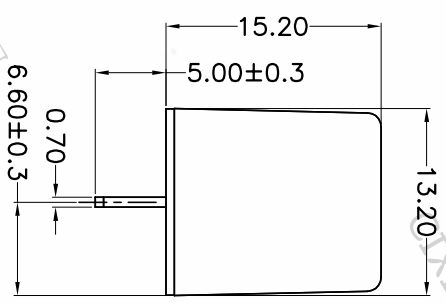
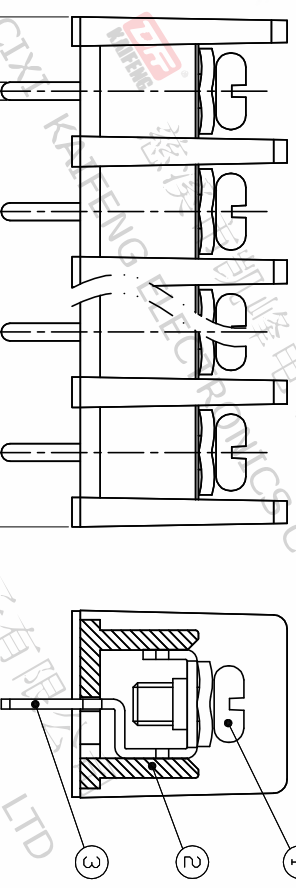
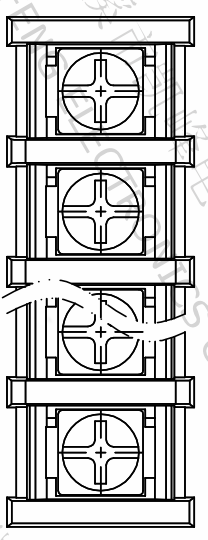


REV.	DESCRIPTION	DATE	DRAFTER	APPROVER
A1	DWG.REL	2020.05.20	LiuZH	JIN



P.C.B.LAYOUT

- Material
 ØScrews : M3.0 steel, Ni plated
 ØHousing : PA66,UL94V-0
 ØTerminal : Brass, Tin plated

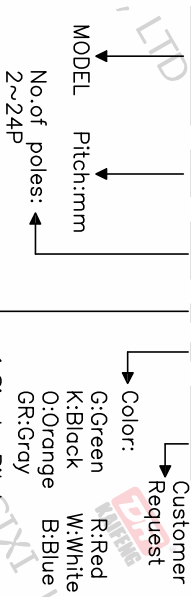
- Electrical U.L IEC
 Rated voltage : 300V 450V
 Rated current : 20A 24A
 Contact resistance : 20mΩ(Max)
 Insulation resistance: 500MΩ/DC500V
 Withstanding Voltage : AC2000V/1min
 Wire range: 22-12AWG 2.5mm²

- Mechanical
 Operating temperature: -40°C ~ +105°C
 Soldering temperature: 250°C±5/5sec
 Torque: 0.5N.m (4.43lb.in)

- RoHS compliance

HOW TO ORDER

KF-35C-8.5-XXP-1 X-XXXXX



- Color:
- G:Green
 - K:Black
 - O:Orange
 - GR:Gray
 - R:Red
 - W:White
 - B:Blue
- Customer Request
- 1:Single Pitch
 - 2:Double Pitch

Pitch range	Nominal dimension range	Projection	UNIT
>0	>0	0.1/10	mm
~6	~6	0.1/10	mm
~10	~10	0.1/10	mm
~24	~24	0.1/10	mm
±0.15	±0.20	±2°	mm
±0.30	±0.30	±2°	mm
±0.50	±0.50	±2°	mm
±0.70	±1.00	±2°	mm
±1.00	±1.30	±2°	mm

DRAWING TYPE	CUSTOMER DRAWING
SCALE	1:1
SHEET	1 OF 1
DRAWING NO.	W12000652

PROJECTION	TITLE
UNIT	KF-35C-8.5-XXP-1X
SHEET SIZE	A4
SERIES	KF-35C

DFE 慈溪市凯峰电子有限公司
CIXI KAIFENG ELECTRONICS CO.,LTD