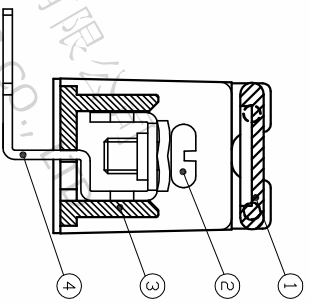
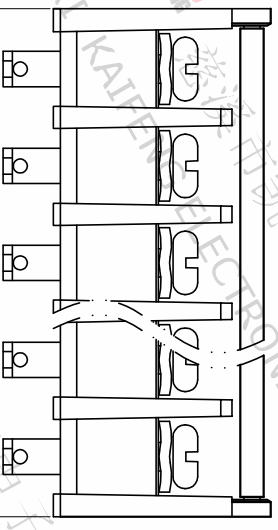
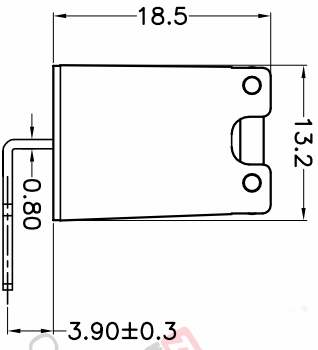
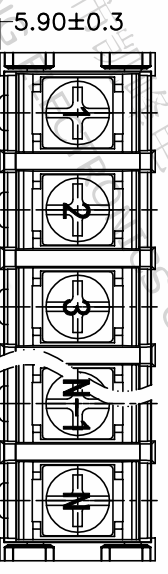


REV.	DESCRIPTION	DATE	DRAFTER	APPROVER
A1	DWG.REL	2020.05.20	LiuZH	JIN



- Material
 - ①Cover : PC
 - ②Screws : M3.0 steel, Ni plated
 - ③Housing : PA66,UL94V-0
 - ④Terminal : Brass, Tin plated

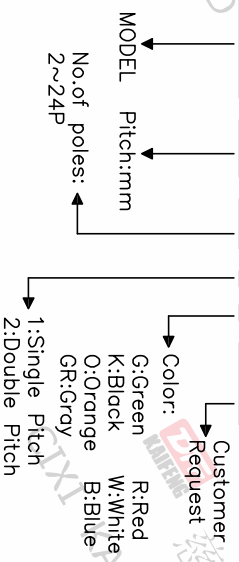
- Electrical
 - UL IEC
 - Rated voltage : 300V 450V
 - Rated current : 20A 24A
 - Contact resistance : 20mΩ(Max)
 - Insulation resistance: 500MΩ/DC500V
 - Withstanding Voltage : AC2000V/1min
 - Wire range: 22-12AWG 2.5mm²

- Mechanical
 - Operating temperature: -40°C ~ +105°C
 - Soldering temperature: 250°C ±5 / 5sec
 - Torque: 0.5N.m (4.43Lb.in)

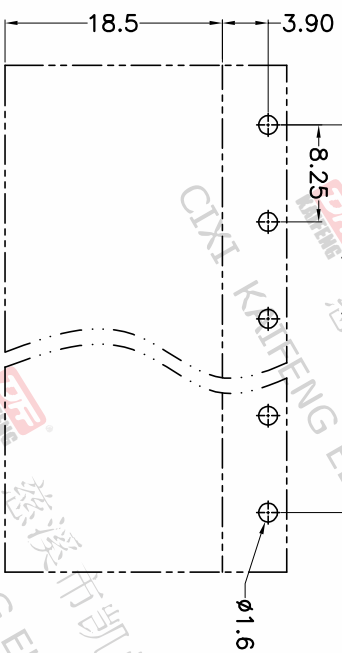
• RoHS compliance

HOW TO ORDER

KF-30RM-8.25-XXP-1 X-XXXXX



P.C.B.LAYOUT



Pitch range	Nominal dimension range	PROJECTION
>0	>0	0.1/10
~6	~30	≤
~10	~60	±2*
~24	~100	
~30	~150	
±0.15 ±0.20 ±0.30	±0.30 ±0.50 ±0.70 ±1.00 ±1.30	

DRAWING TYPE	CUSTOMER DRAWING
SCALE	1:1
SHEET	1 OF 1
DRAWING NO.	W12000622

PROJECTION	UNIT	TITLE
①	mm	KF-30RM-8.25-XXP-1X
SHEET SIZE	A4	SERIES KF-30RM

DF 慈溪市凯峰电子有限公司
CIXI KAIFENG ELECTRONICS CO.,LTD