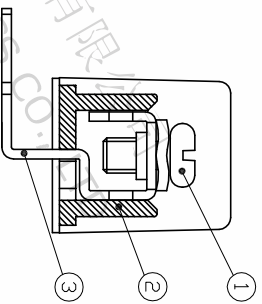
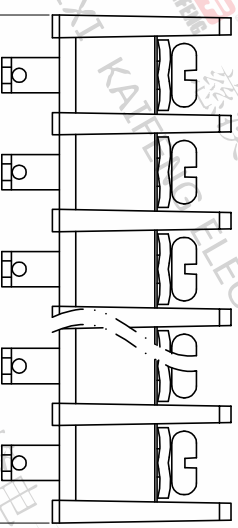
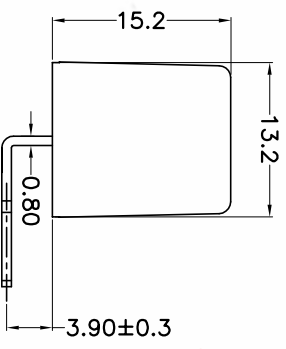
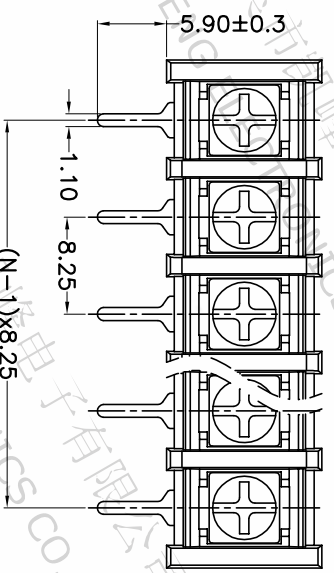


REV.	DESCRIPTION	DATE	DRAFTER	APPROVER
A1	DWG.REL	2020.05.20	LiuZH	JIN



- Material
 - ①Screws : M3.0 steel, Ni plated
 - ②Housing : PA66,UL94V-0
 - ③Terminal : Brass, Tin plated

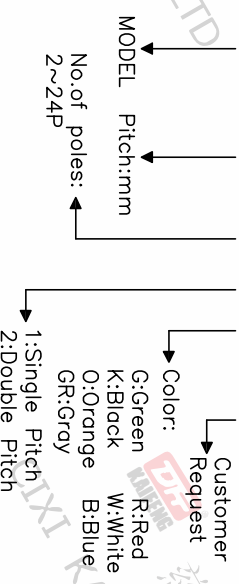
- Electrical
 - UL IEC
 - Rated voltage : 300V 450V
 - Rated current : 20A 24A

- Mechanical
 - Contact resistance : 20mΩ(Max)
 - Insulation resistance: 500MΩ/DC500V
 - Withstanding Voltage : AC2000V/1min
 - Wire range: 22-12AWG 2.5mm²

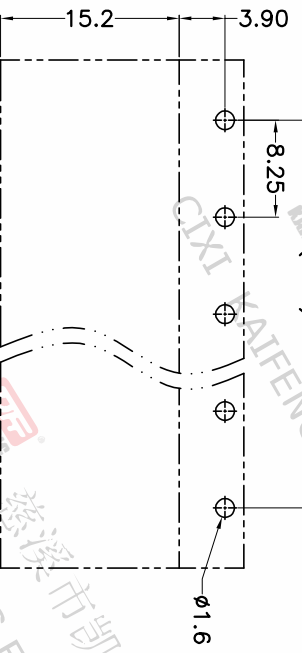
- RoHS compliance
- Operating temperature: -40°C ~ +105°C
- Soldering temperature: 250°C ±5 / 5sec
- Torque: 0.5N.m (4.43lb.in)

HOW TO ORDER

KE-30R-8.25-XXP-1 X-XXXXX



P.C.B.LAYOUT



Pitch range	Nominal dimension range	PROJECTION	UNIT
>0	>30	0.1/10	mm
>6	>60		
~	~		
10	100		
24	150		
±0.15	±0.30	±2°	
±0.20	±0.30		
±0.30	±0.50		
±0.70	±1.00		
±1.30	±1.30		

DRAWING TYPE	CUSTOMER DRAWING
SCALE	1:1
SHEET	1 OF 1
DRAWING NO.	W12000612

TITLE	SHEET SIZE	SERIES
KE-30R-8.25-XXP-1X	A4	KE-30R

DFE 慈溪市凯峰电子有限公司
CIXI KAIFENG ELECTRONICS CO.,LTD

