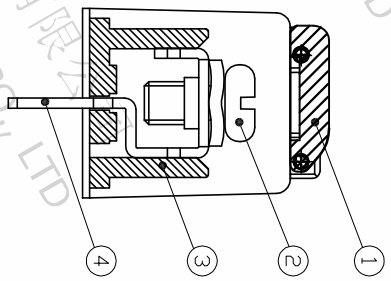
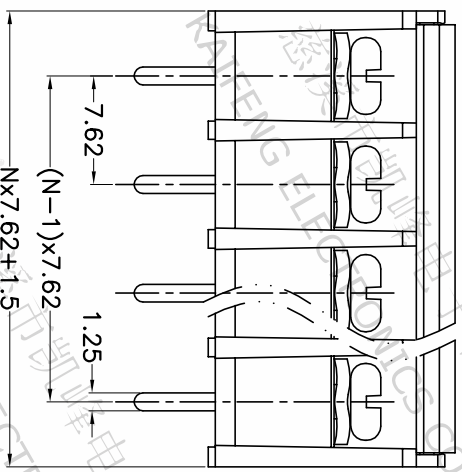
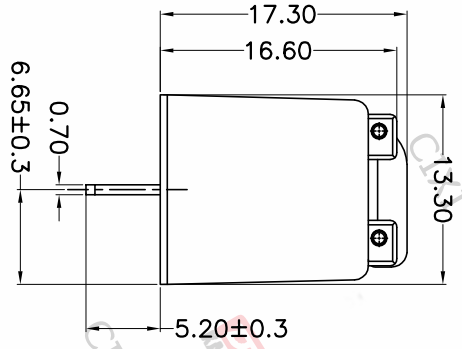
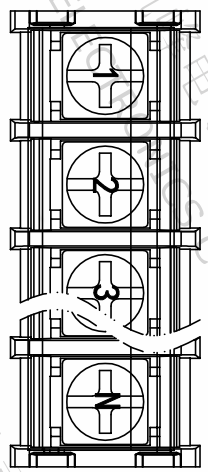


REV.	DESCRIPTION	DATE	DRAFTER	APPROVER
A1	DWG.REL	2020.05.20	LUZH	JIN



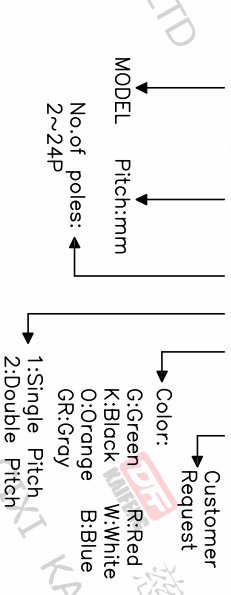
- Material
  - ①Cover : PC
  - ②Screws : M3.0 steel, Ni plated
  - ③Housing : PA66,UL94V-0
  - ④Terminal : Brass, Tin plated

- Electrical
  - UL-IEC
  - Rated voltage : 300V 250V
  - Rated current : 15A 24A
  - Contact resistance : 20mΩ(Max)
  - Insulation resistance: 500MΩ/DC500V
  - Withstanding Voltage : AC2000V/1min
  - Wire range: 22-14AWG 2.5mm<sup>2</sup>

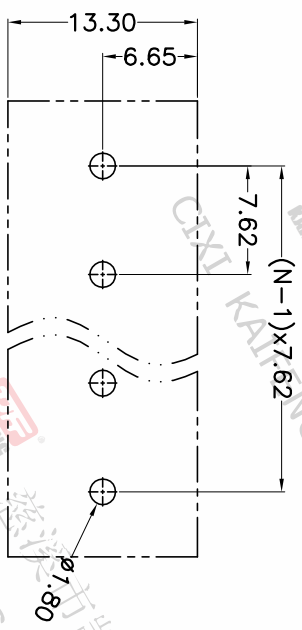
- Mechanical
  - Operating temperature: -40°C~+105°C
  - Soldering temperature:250°C±5/5sec
  - Torque: 0.5N.m (4.43lb.in)

• RoHS compliance

HOW TO ORDER  
KF-25CM-7.62-XXP-1 X-XXXXX



P.C.B.LAYOUT



Pitch range	Nominal dimension range	PROJECTION
>0	>0	0.1/10
>6	>60	0.1/10
6	100	0.1/10
10	24	0.1/10
>10	>30	0.1/10
30	60	0.1/10
>30	>60	0.1/10
60	100	0.1/10
>60	>100	0.1/10
100	150	0.1/10
>100	>150	0.1/10
±0.15	±0.20	±0.30
±0.30	±0.30	±0.50
±0.50	±0.70	±1.00
±1.00	±1.30	±2

DRAWING TYPE	CUSTOMER DRAWING
SCALE	1:1
SHEET	1 OF 1
DRAWING NO.	W12000502

**DF** 慈溪市凯峰电子有限公司  
CIXI KAIFENG ELECTRONICS CO.,LTD

PROJECTION UNIT mm  
SHEET SIZE A4  
SERIES KF-25CM  
TITLE KF-25CM-7.62-XXP-1X