

REV.	DESCRIPTION	DATE	DRAFTER	APPROVER
A1	DWG.REL	2020/5/18	ZHANG	JIN

- Material
 - ①Screws : M2.0 steel, Zinc plated,
 - ②-/+ slot type
 - ③Housing : PA66, UL94V-0
 - ④Contact : Copper alloy, Tin plated
 - ⑤Reed : Copper alloy, Ni plated or stainless steel

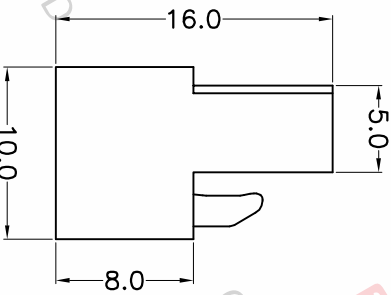
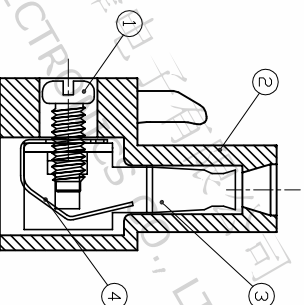
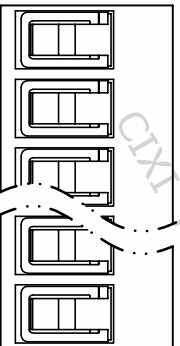
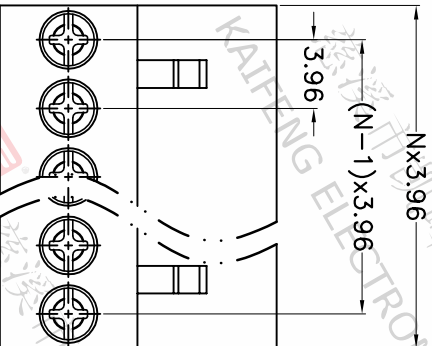
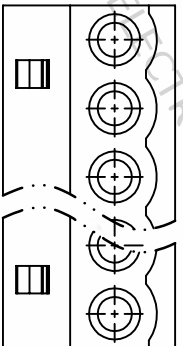
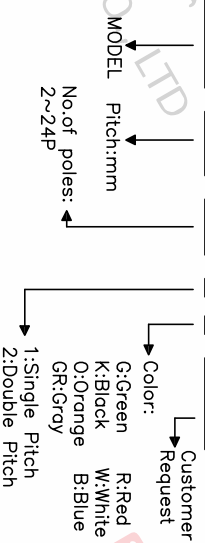
- Electrical
 - Rated voltage : 300V
 - Contact current : 16A
 - Contact resistance : 20mΩ(Max)
 - Insulation resistance : 500MΩ/DC500V
 - Withstanding Voltage : AC1500V/1min
 - Wire range : 28-14AWG 1.5mm²

- Mechanical
 - Operating temperature: -40°C ~ +105°C
 - Soldering temperature: 250°C ± 5/5sec
 - Torque: 0.2N.m (1.77Lb.in)
 - Strip length: 7-8mm

• RoHS compliance

HOW TO ORDER

HT396-3.96-XXP-1 X-XXXXX



Pitch range	Nominal dimension	range	0.1/10	±2'
>0	>6	>10	>0	>30
~	~	~	~	~
6	10	24	30	60
100	150	±2'		

DRAWING TYPE CUSTOMER DRAWING

SCALE 1:1 SHEET 1 OF 1

DRAWING NO. W10000012

PROJECTION UNIT mm TITLE HT396-3.96-XXP-1X

SHEET SIZE A4 SERIES HT396

DFE 慈溪市凯峰电子有限公司
CIXI KAIFENG ELECTRONICS CO.,LTD