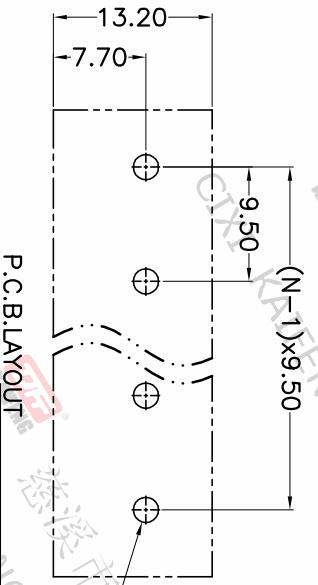
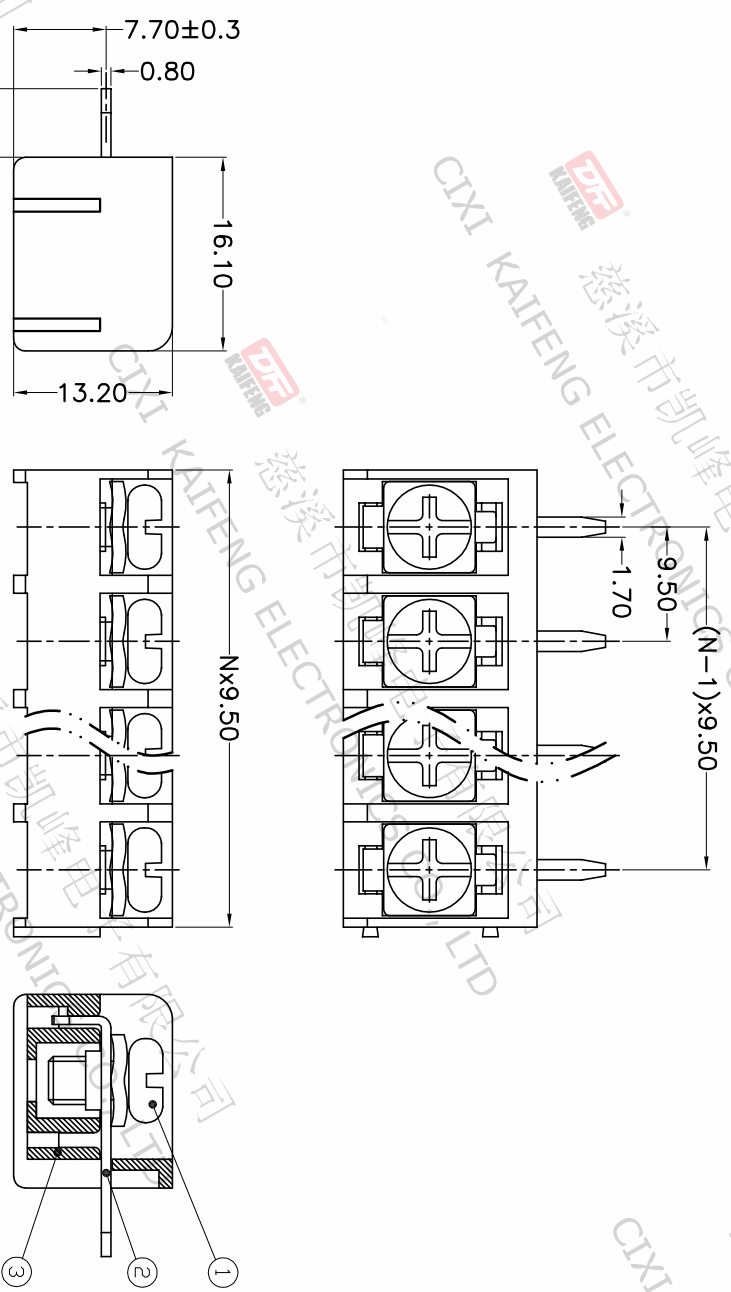
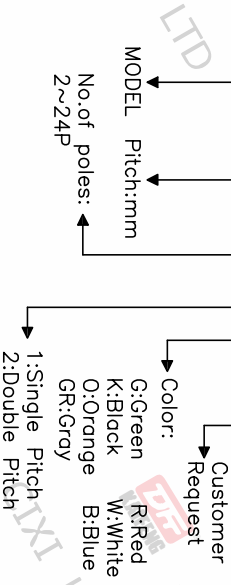


REV	DESCRIPTION	DATE	DRAFTER	APPROVER
A1	DWG.REL	2020.05.19	LiuZH	JIN



- Material
 ØScrews : M4.0 steel, Ni plated
 ØTerminal : Brass, Tin plated
 ØHousing : PA66,UL94V-0
- Electrical
 UL IEC
 Rated voltage : 300V 750V
 Rated current : 25A 32A
 Contact resistance : 20mΩ(Max)
 Insulation resistance: 500MΩ/DC500V
 Withstanding Voltage : AC2000V/1min
 Wire range: 22-12AWG 4.0mm²
- Mechanical
 Operating temperature: -40°C ~ +105°C
 Soldering temperature: 250°C ±5/5sec
 Torque: 1.2N.m (10.53Lb.in)
- RoHS compliance

HOW TO ORDER



Pitch range	Nominal dimension range	Projection
>0	>60	0.1/1.0
>6	>100	0.1/1.0
~	~	~
6	60	~
10	100	~
24	150	~
30	150	~
±0.15	±0.30	±2
±0.20	±0.30	±2
±0.30	±0.30	±2
±0.50	±0.70	±2
±0.70	±1.00	±2
±1.00	±1.30	±2

DRAWING TYPE	CUSTOMER DRAWING
SCALE	1:1
SHEET	1 OF 1
DRAWING NO.	W12000372

PROJECTION	TITLE
UNIT: mm	HB-950T-9.5-XXP-1X
SHEET SIZE: A4	SERIES: HB-950T

DF 慈溪市凯峰电子有限公司
 CIXI KAIFENG ELECTRONICS CO.,LTD