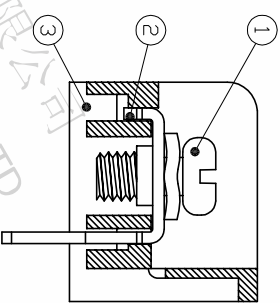
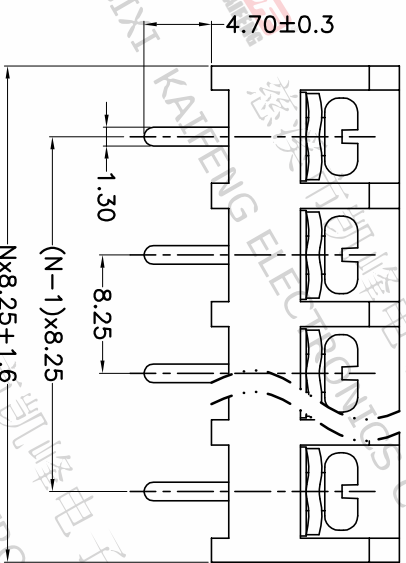
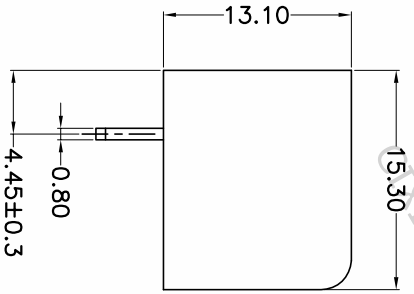
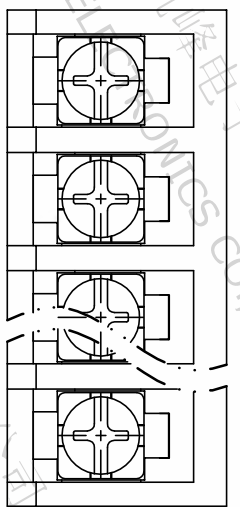


REV.	DESCRIPTION	DATE	DRAFTER	APPROVER
A1	DWG.REL	2020.05.20	LiuZH	JIN

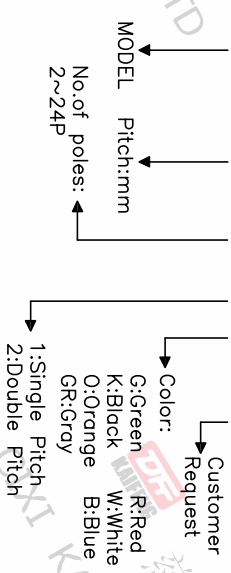


- Material
 ØScrews : M3.5 steel, Ni plated
 ØTerminal : Brass, Tin plated
 ØHousing : PA66, UL94V-0
- Electrical
 UL IEC
 Rated voltage : 300V 450V
 Rated current : 20A 24A
 Contact resistance : 20mΩ(Max)
 Insulation resistance: 500MΩ/DC500V
 Withstanding Voltage : AC2000V/1min
 Wire range: 22-12AWG 2.5mm²

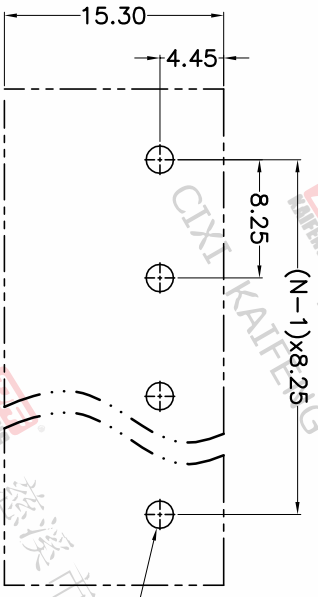
- Mechanical
 Operating temperature: -40°C ~ +105°C
 Soldering temperature: 250°C ±5/5sec
 Torque: 0.8N.m (7.02lb.in)
- RoHS compliance

HOW TO ORDER

HB-825-8.25-XXP-1 X-XXXXX



P.C.B.LAYOUT



Pitch range	Nominal dimension range	PROJECTION	UNIT
>0	>0	0.1/10	mm
~6	~10		
~10	~24		
~30	~60		
~100	~100		
~150	~150		
±0.15	±0.20	±2°	
±0.30	±0.50		
±0.70	±1.00		
±1.30	±1.30		

DRAWING TYPE	CUSTOMER DRAWING
SCALE	1:1
SHEET	1 OF 1
DRAWING NO.	W12000472

PROJECTION	TITLE
UNIT	HB-825-8.25-XXP-1X
SHEET SIZE	A4
SERIES	HB-825

DFE 慈溪市凯峰电子有限公司
 CIXI KAIFENG ELECTRONICS CO.,LTD

