

REV.	DESCRIPTION	DATE	DRAFTER	APPROVER
V1.0	DWG.REL	2024.7.29	ZHANG	JIN

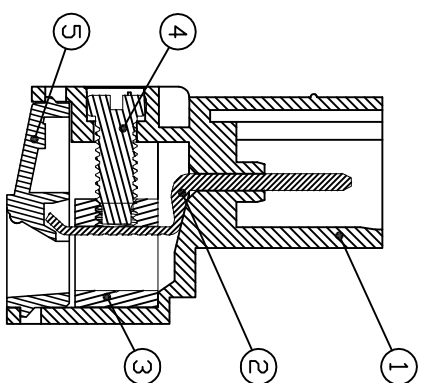
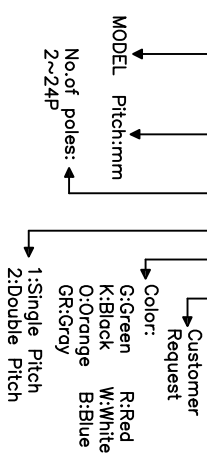
- Material
 ØHousing : PA66, UL94V-0
 ØPin header : Copper alloy, Tin plated
 ØClamp : Copper alloy, Ni plated
 ØScrew : M2.0 steel, Zinc plated
 ØCover : PA66, UL94V-0

- Electrical
 UL IEC
 Rated voltage : 300V 250V
 Rated current : 8A 7A
 Contact resistance : 20mΩ(Max)
 Insulation resistance : 500MΩ/DC500V
 Withstanding Voltage : AC1500V/1min
 Wire range : 24-16AWG, 0.5-1.5mm²

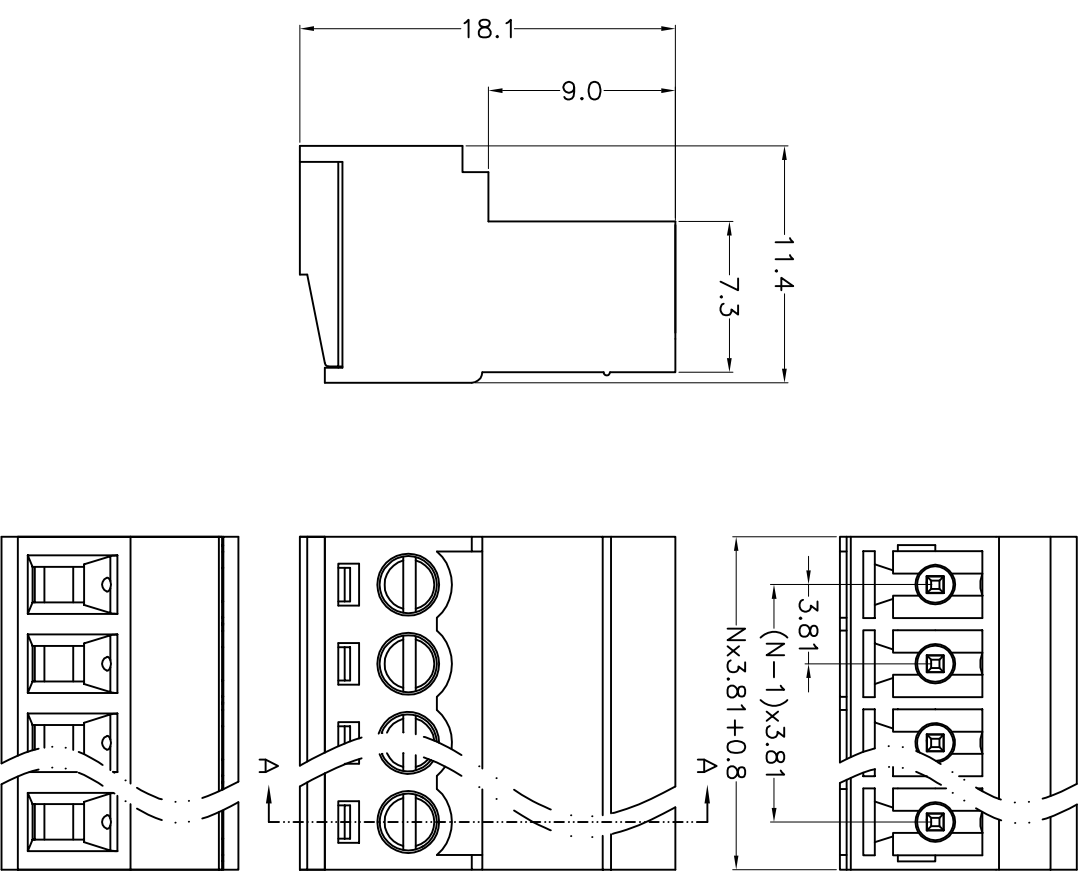
- Mechanical
 Operating temperature: -40°C~+105°C
 Soldering temperature: 250°C±5/5sec
 Torque: 0.2N.m (1.77Lb.in)
 Strip length: 6-7mm

• Conform to REACH and RoHS

HOW TO ORDER
 KF12EKR-3.81-XXP-1 X-XXXX



SECTION A-A



Pitch range	Nominal dimension range	PROJECTION
>0	>0	0.1/10
~6	~30	□
~10	~60	□
~24	~100	□
~30	~150	□
±0.15	±0.30	±2°
±0.20	±0.50	±2°
±0.30	±0.70	±2°
±1.00	±1.30	±2°

DRAWING TYPE	SCALE	SHEET	1 OF 1
CUSTOMER DRAWING	1:1	SHEET	1 OF 1
DRAWING NO.	W10001362		

TITLE	UNIT	SHEET SIZE	SERIES
KF12EKR-3.81-XXP-1X	mm	A4	KF12EKR

DF 慈溪市凯峰电子有限公司
 CIXI KAIFENG ELECTRONICS CO.,LTD