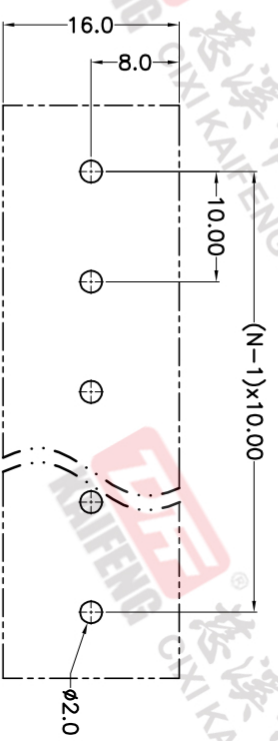
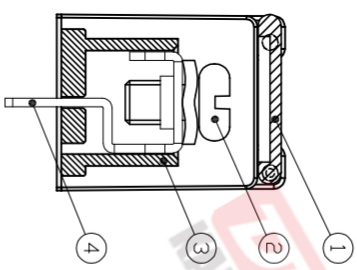
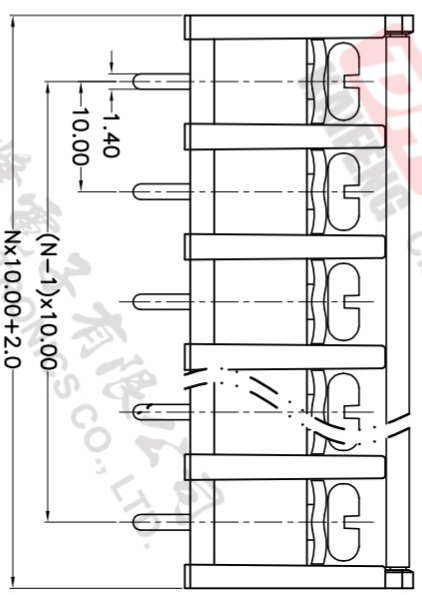
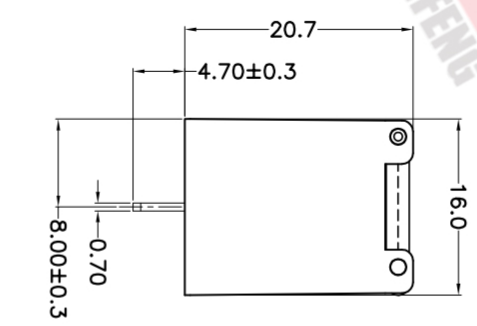
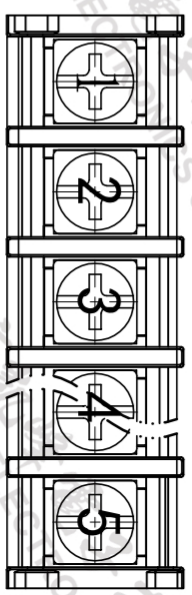


REV.	DESCRIPTION	DATE	DRAFTER	APPROVER
V1.0	DWG.REL	2023.3.17	ZZM	JIN



P.C.B. LAYOUT

Pitch range	Nominal dimension range	PROJECTION
>0	>0	0.1/10
>6	>30	□
~	~	□
6	30	□
10	60	□
~	~	□
24	100	□
~	~	□
30	150	□
±0.15	±0.30	±2°
±0.20	±0.30	□
±0.30	±0.50	□
±0.70	±1.00	□
±1.30	±1.30	□

DRAWING TYPE	SCALE	SHEET	OF	TITLE	UNIT	SHEET SIZE	SERIES
CUSTOMER DRAWING	1:1	1	OF 1	KF-55CM-10.0-XXP-1X	mm	A4	KF-55CM
DRAWING NO.							

- Material
  - ØCover : PC
  - ØScrew : M4.0 steel, Ni plated
  - ØHousing : PA66,UL94V-0
  - ØTerminal : Copper alloy, Tin plated
- Electrical
  - UL IEC
  - Rated voltage : 300V 750V
  - Rated current : 25A 32A
  - Contact resistance : 20mΩ(Max)
  - Insulation resistance: 500MΩ/DC500V
  - Withstanding Voltage : AC2000V/1min
  - Wire range: 22-12AWG 4.0mm<sup>2</sup>
- Mechanical
  - Operating temperature: -40°C~+105°C
  - Soldering temperature:250°C±5/5sec
  - Torque: 1.2N.m (10.53lb.in)
- Conform to REACH and Rohs

HOW TO ORDER

